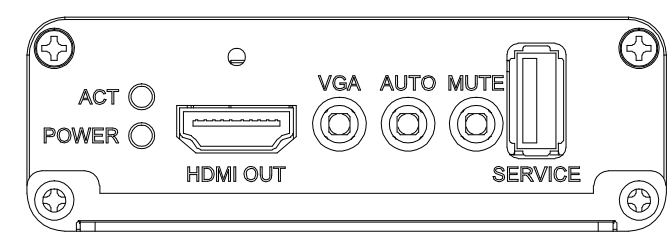
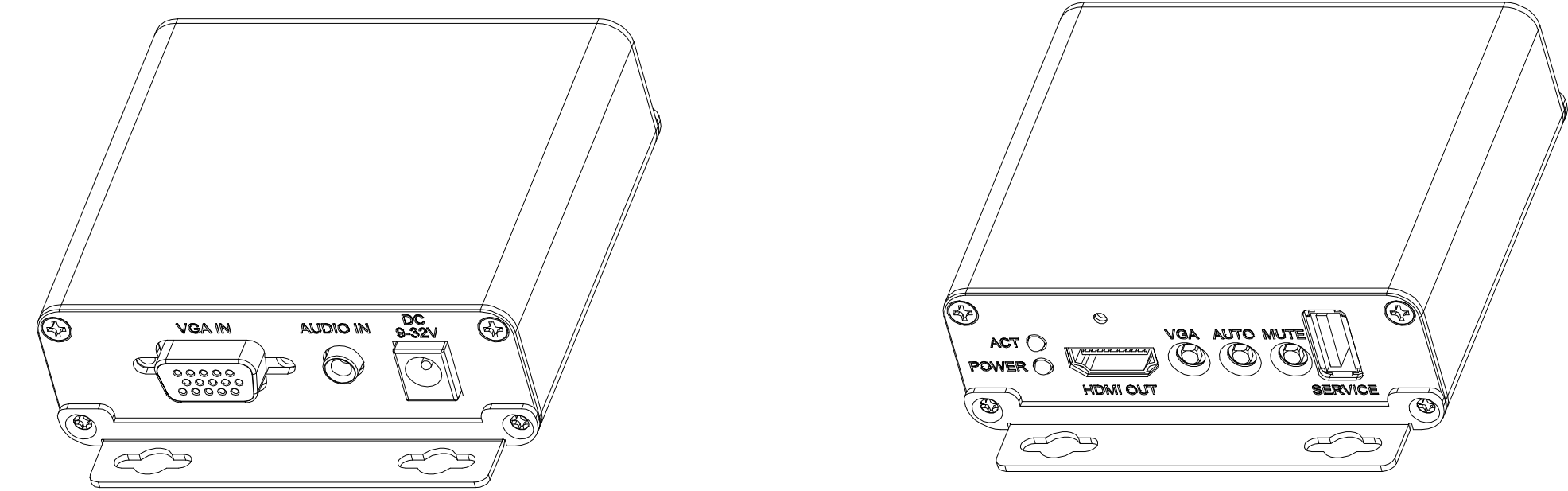
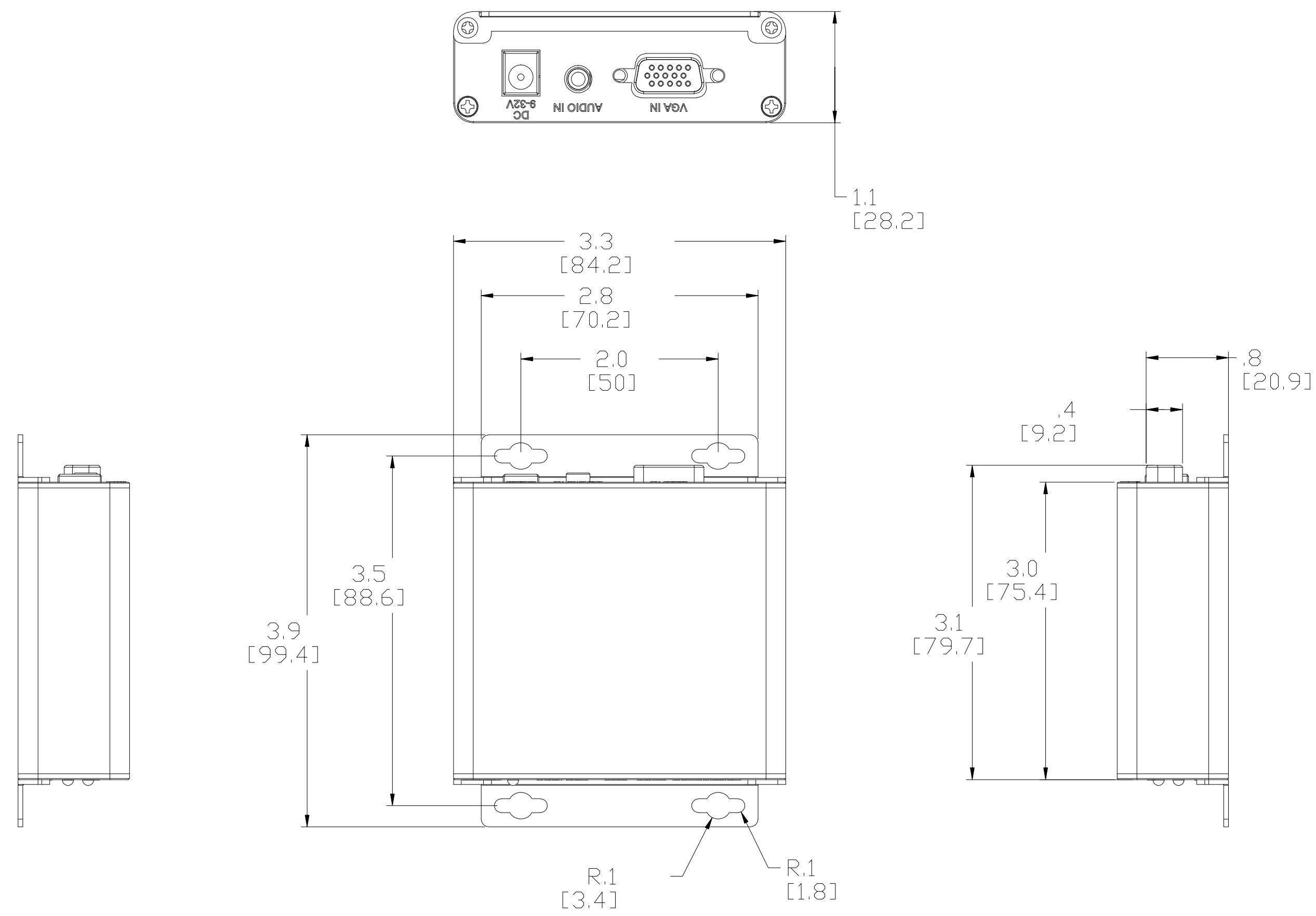


PARTS LIST			
ITEM	QTY	DESCRIPTION	P/N



ALL DIMENSIONS IN MILLIMETRES
 THIRD ANGLE PROJECTION

The information disclosed on this document is the exclusive property of ARISTA CORPORATION. Reproduction, disclosure, or the use of this document or information without the written permission of ARISTA CORPORATION is prohibited.

ZONE	REV	DESCRIPTION	DATE	APPROVED
REVISIONS				
ARISTA CORPORATION 41300 Bayce Rd, Fremont, CA 94538				
TITLE 0_AVC-100A-VH_ARJ9D00				
TOLERANCES		A	B	C
0-30mm	±0.1	±0.25	±0.6	
30-120mm	±0.15	±0.46	±1.1	
120-315mm	±0.2	±0.6	±1.6	
>315mm	±0.3	±1.1	±2.5	
DRN	DATE			
CHECKED				
ECN		CN		
DESIGN	SCALE		INV. NO.	SHEET OF