

Features

- Intel 2nd generation CPU
- PICMG 1.3 Backplane
- 1 x Accessible 5.25" and 3.5" drive bay
- 2 x internal 3.5" HDD bay
- 8 x USB ports
- One 8cm hot-swappable cooling fan

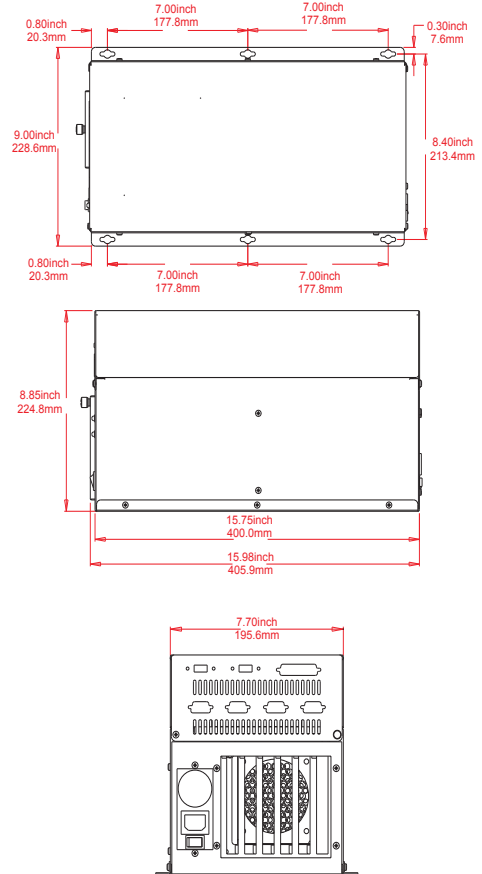


MPC - 1060D-Q570

- 1**
ARP 1700 Series
- 2**
ARP 2200 Series
- 3**
ARP 3600 Series
- 4**
ARP 5500 Series
- 5**
AMA Series
- 6**
ADM 1500 Series
- 7**
ADM 1800 Series
- 8**
ADM 5800 Series
- 9**
ARD 1000 Series
- 10**
AVW Series
- 11**
BoxPC Series
- 12**
Thin Clients Series
- 13**
AMS Series
- 14**
MPC Series
- 15**
RS Series

Specifications	MPC-1060D-Q570
System	
CPU	Intel LGA1156 Core i3/i5/i7
Chipset	Intel Q57
Memory	Up to 8GB DDR3-1333
Video Controller	Intel HD Graphics
Video Interface	Video Interface
Storage Option	Up to 2 x 3.5" SATA HDD, RAID 0/1 support
Compact Flash	1
Keyboard/Mouse	2 x PS / 2 connectors
Audio	Line in, Line Out, Mic-In (Optional)
Watchdog Timer	Programmable 1 - 255 sec
Expansion Slot	3 x PCI slots, 1 x PCIe x 16, 1 x PCIe x 4
I/O Communication	
USB Port	up to 8 x USB 2.0
Serial Port	up to 6(5xRS-232, 1xRS-232/422/485)
IEEE 1394	N/A
LAN	Dual Gigabit LAN
Parallel	1 x Port
OS SUPPORT	
OS Support	Windows XP, Windows 7
Power/Thermal Specs.	
Power Requirement (Max)	110VAC /3A, 220VAC/1.5A
Power Consumption (Max)	265W
Heat Dissipation	1010 BTU
Physical Information	
Construction	Heavy Duty Sheet Metal
Color	Beige Color
Weight	13 Lbs / 6 Kg
Dimension (WxHxD)	9.00 x 8.85 x 15.98 inch 228.6 x 224.8 x 405.9 mm
Environmental	
Operating Temp	0° - 50° C (32° - 122° F)
Storage Temp	-20° - 60° C (-4° - 140° F)
Relative Humidity	0% - 95% (non-condensing)
Rating	N/A
Certification	N/A

Line Drawing



Ordering Information	MPC-1060D-Q570
MPC-1060	MPC-1060D-Q570
Backplane	6-Slot PICMG 1.3 Backplane
Power Supply	350W ATX Power Supply