



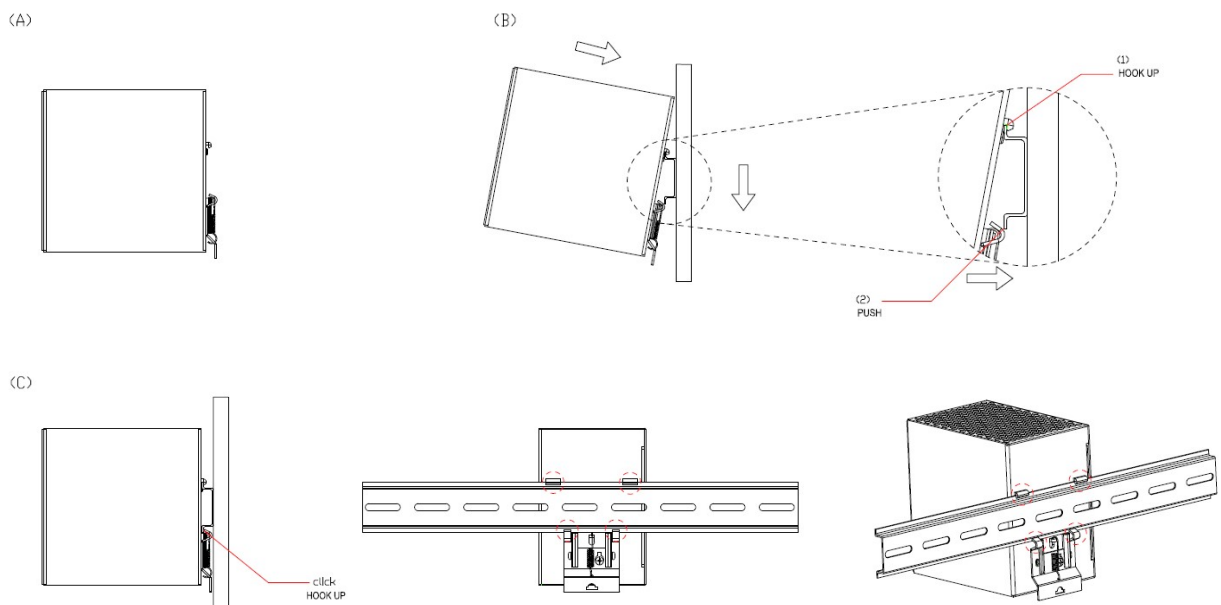
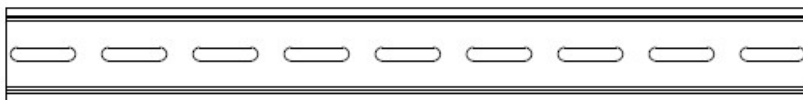
## Installation

- 1) Always allow good ventilation clearances, 10mm left and right, 40mm above and below, around the unit in use to prevent it from overheating. Also a 10-15 cm clearance must be kept when the adjacent device is a heat source.
- 2) The appropriate mounting orientation for the unit is vertical

Mounting Instruction : Mounting of Din-Rail power supply is shown below:

DIN rail : TS35/7.5 or TS35/15

(TS35/7.5 OR TS35/15)

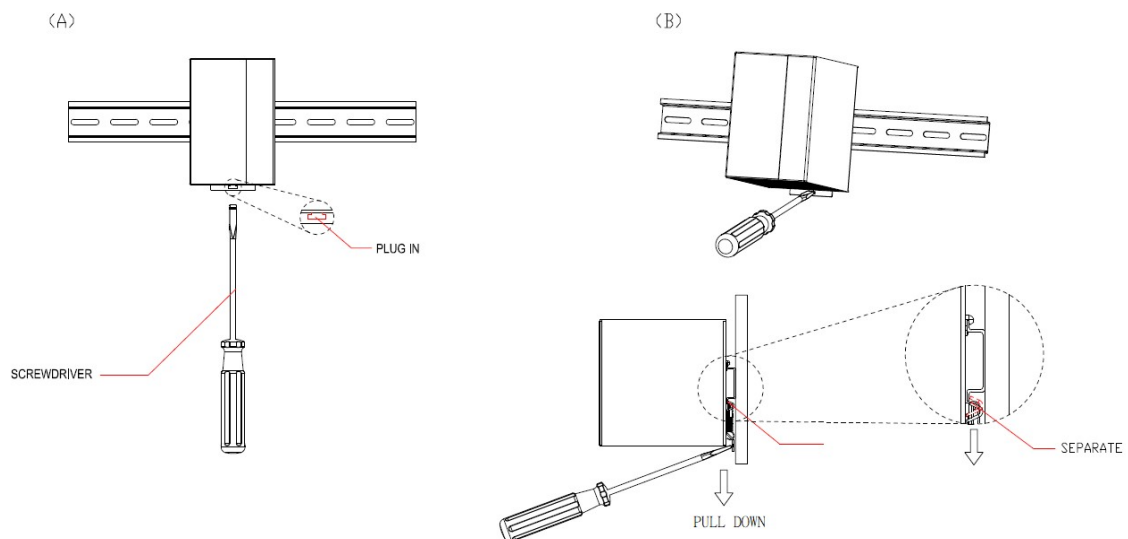


- A) Tilt the unit slightly rearwards and fit the unit over the top of rail.
- B) Slide it downward until it hits the stop.
- C) Press against the bottom of the unit to lock it in the position.
- D) Check the power supply is locked in the position.

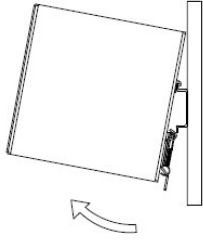
### Warning / Caution!!

- 1) **Risk of electrical shock and energy hazard.** All failure should be examined by a qualified technician. Please do not remove the case of the DIN rail power supply by yourself!
- 2) Risk of fire and short circuit. The ventilation openings should be protected from foreign objects or dripping liquids.
- 3) Only install the unit in a pollution degree 2 environment.
- 4) Please do not install the unit in places with high moisture or near the water.
- 5) Please refer to each model's specification on the datasheet. Do not operate the power supply over the maximum operating temperature.
- 6) Please do not install the unit in places with high ambient temperature or near fire source.
- 7) Output current and output wattage must not exceed the rated values on its specification.

## Removing Power Supply



(C)



(D)

